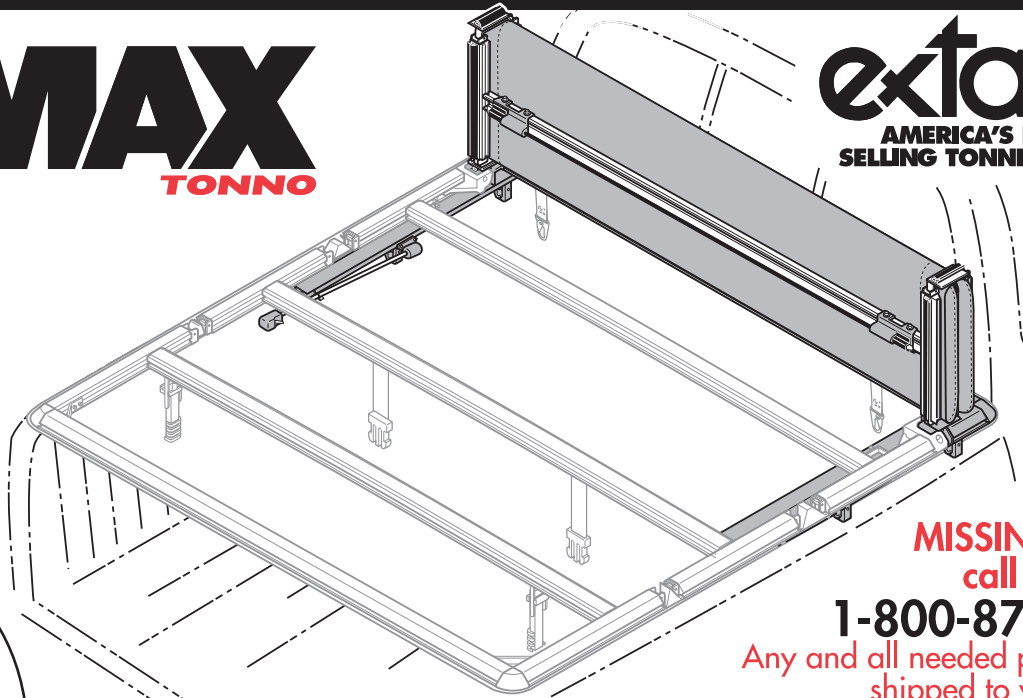


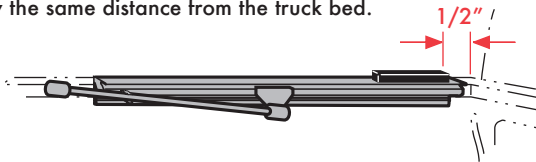
INSTALLATION SHEET



- 1/2" Socket Wrench
- 3/16" Allen Wrench

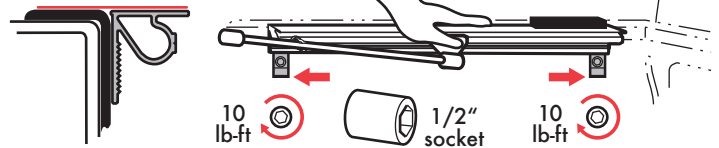
MISSING PARTS?
call Extang at
1-800-877-2588
 Any and all needed parts will be shipped to you directly.
 (DO NOT return whole kit to store)

1 Position bedrail on truck bed side 1/2" from inside of front bed wall. NOTE: Make sure that both side rails are positioned exactly the same distance from the truck bed.



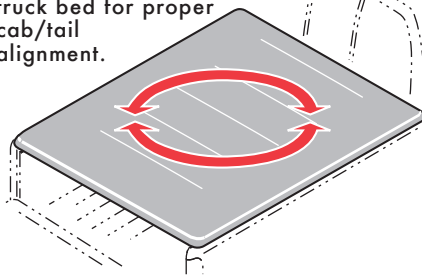
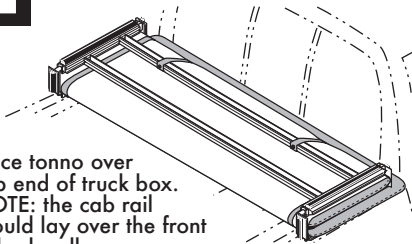
Align the top of the underbody rail flush with the top of the truck bed and secure the clamps as shown.

NOTE: Clamps should be located as close to the underbody rail ends as possible.

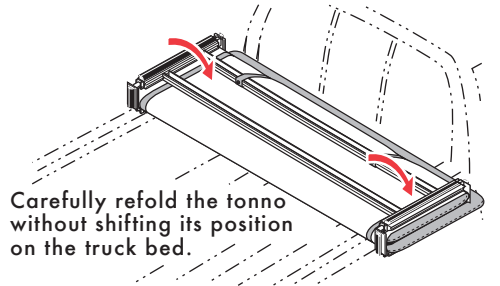


2 Unfold the tonno fully and adjust position over the truck bed for proper cab/tail alignment.

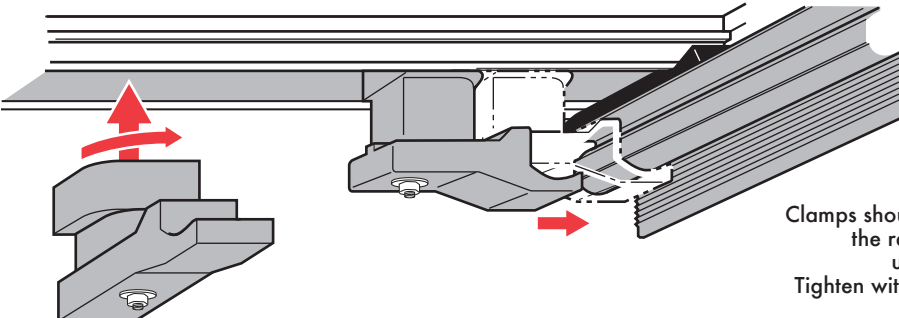
Place tonno over cab end of truck box. NOTE: the cab rail should lay over the front of bed wall.



Carefully refold the tonno without shifting its position on the truck bed.



3 Insert sliding clamp into attachment bow and rotate 90°, then secure cab rail to underbody rail with sliding clamp.



Clamps should be fully secured under the radius section of the underbody rail. Tighten with 1/2" socket to 10 lb-ft.

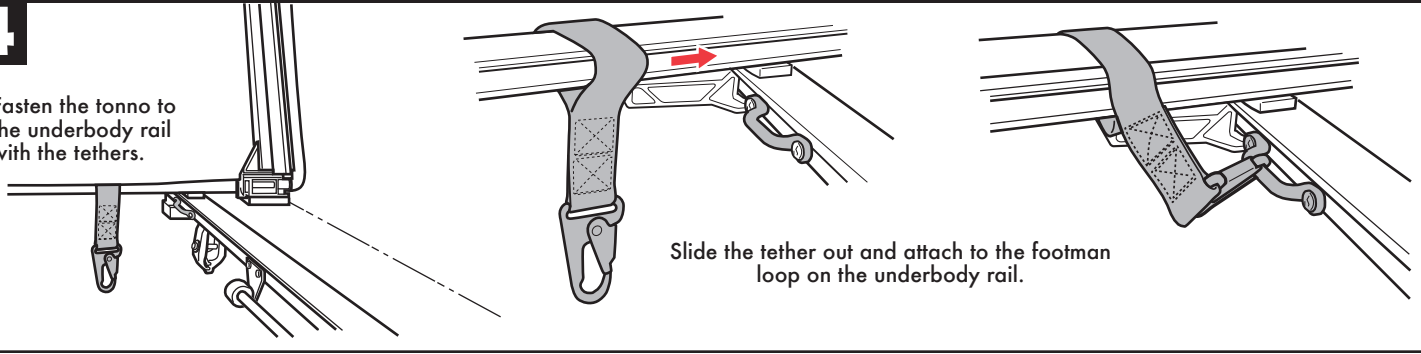
Extang Corporation
 5400 S. State Road
 Ann Arbor, MI 48108
 734 677-0444, Fax: 734 677-8409



Register your warranty at:
extang.com
 Item No. 72000-30-1511 RH
 ©Extang Corp., 2015 Printed in U.S.A.

4

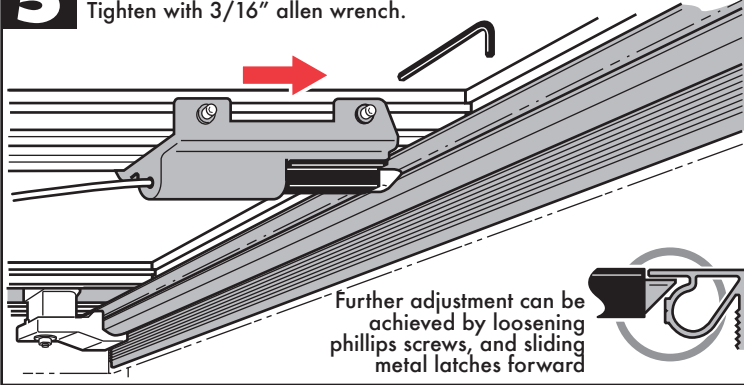
Fasten the tonno to the underbody rail with the tethers.



Slide the tether out and attach to the footman loop on the underbody rail.

5

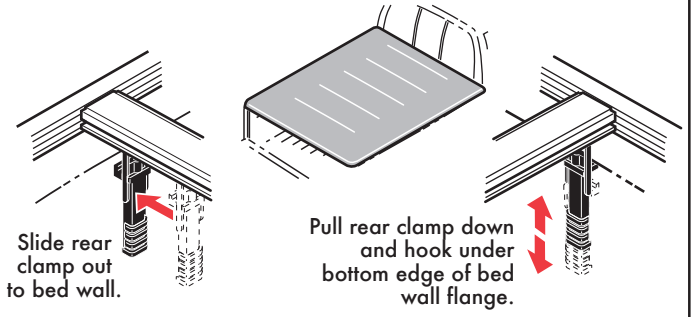
Adjust slam latches so they fully engage the underbody rail flange. Tighten with 3/16" allen wrench.



Further adjustment can be achieved by loosening phillips screws, and sliding metal latches forward

6

With tailgate open, completely unfold the tonno and secure to the truck bed with spring clamps.

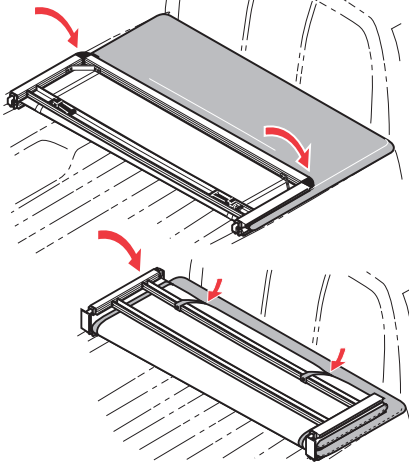


Slide rear clamp out to bed wall.

Pull rear clamp down and hook under bottom edge of bed wall flange.

Stow Tonno for convenient use

Release the rear clamps and fold the tonno forward.



IMPORTANT: Before folding the second section of the tonno, rear clamps must be stowed into the rear bow to prevent damage to fabric.

Failure to stow handle will puncture tarp and void warranty.

Fold the tonno forward and fasten the straps in the middle section to the front rail.

Raise the Tonno panel for more storage

Reach under and disengage slam latches by pulling the release cable.

Raise the support rods to engage the joint ball in the third section bow. Press firmly into place to secure.

Actuate red lever and simultaneously pull the support rod to remove.

Remove any snow or foreign matter before folding cover.



IMPORTANT NOTICE

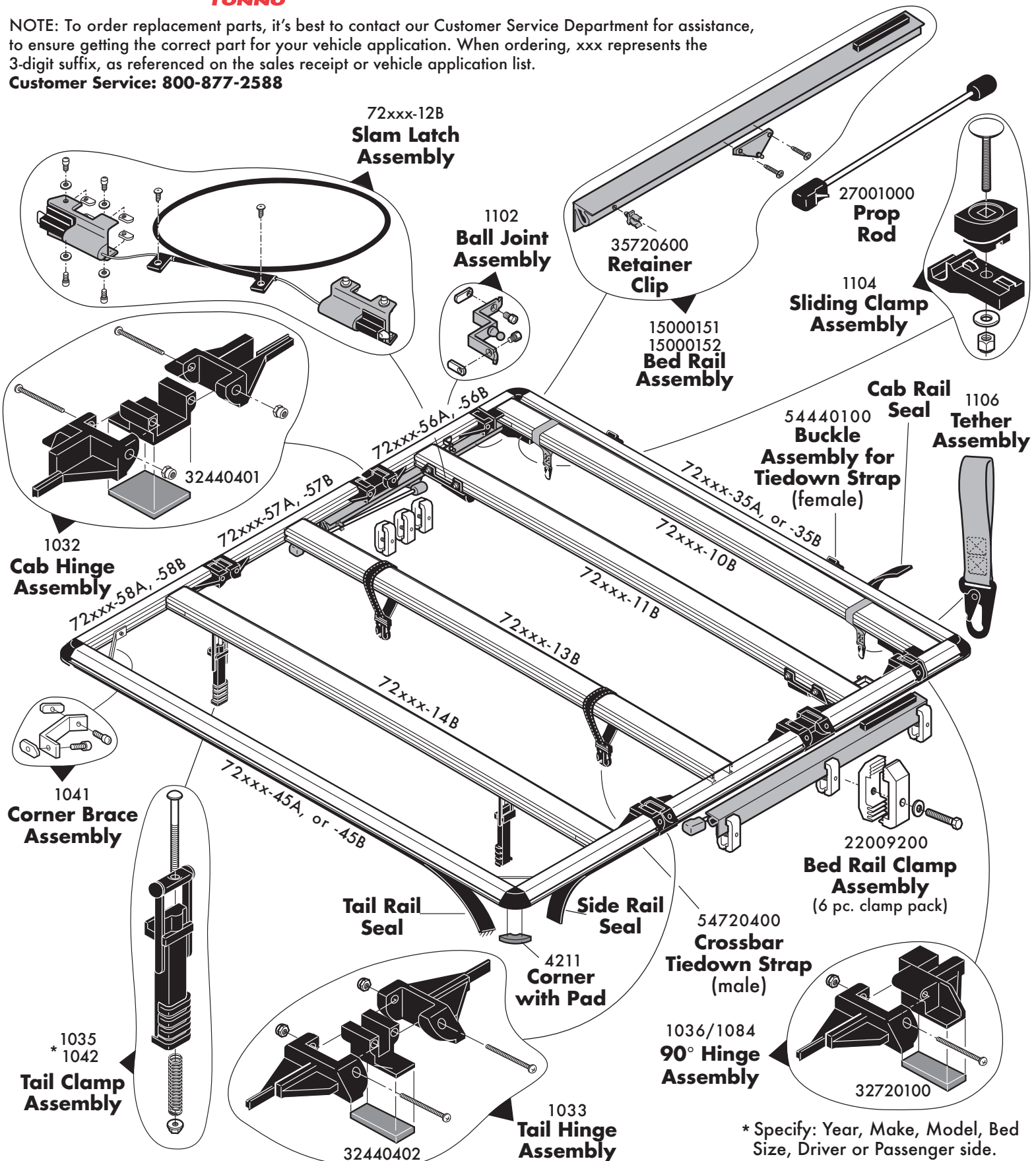
While driving, cover must be completely flat and secure with all clamps in the closed position or completely folded up (all panels) and secured at the cab. **DO NOT DRIVE** with cover in partially opened position.

Note: Tarp cannot be removed from aluminum frame. Attempting to do so will cause damage and void the warranty.

Do not tow vehicle from the rear with this product in place.



NOTE: To order replacement parts, it's best to contact our Customer Service Department for assistance, to ensure getting the correct part for your vehicle application. When ordering, xxx represents the 3-digit suffix, as referenced on the sales receipt or vehicle application list.
Customer Service: 800-877-2588



* Specify: Year, Make, Model, Bed Size, Driver or Passenger side.

MAXIMUM STRENGTH WARRANTY

LIFETIME FRAME & TARP

READ CAREFULLY - KEEP IN A SAFE PLACE

PLEASE ATTACH AND SAVE YOUR SALES RECEIPT.
ACTIVATE YOUR WARRANTY ONLINE AT EXTANG.COM.

Maximum Strength Warranty - Lifetime frame and tarp warranty covers the following tonneaus: Revolution, Express, Trifecta and eMAX.

■ WARRANTY DURATION:

Lifetime Frame – Extang offers a LIFETIME warranty against defective materials or workmanship on the Revolution, Express, Trifecta and eMAX rails, aluminum components, clamps, bows, hardware. **Lifetime Tarp** – Extang offers a LIFETIME warranty against defective materials or workmanship on the Revolution, Express, Trifecta and eMAX vinyl covering. The warranty applies to the original consumer/purchaser. Warranty registration must be on file and/or proof of original purchase (detailed and dated receipt) required for warranty to be effective. Warranty coverage starts from the date of purchase.

■ WARRANTY CONDITIONS:

This warranty is against defective materials or workmanship. The warranty is void if the product has been damaged by accident, unreasonable use, neglect, improper service/installation/removal, modifications, normal wear and tear or other causes not arising out of defective materials or workmanship. Consequential and incidental damages are not covered under this warranty.

THE FOLLOWING CONDITIONS WILL ALSO VOID THE WARRANTY:

- **Wind whip damage** - Tarps must be secured at all points when vehicle is in motion. An unsecured tarp will flap, resulting in damage to the fabric.
- **Improper cleaning** - It is recommended to use the tested and approved Extang Tonno Tonic™ or clean with soap and water only. Do not use vinyl conditioners (i.e. Armor All®) because they will shrink the vinyl.
- **Overloading of cargo** - Cargo should not touch the tonneau's tarp at any point. Protrusions in the tarp will stress the fabric. Cargo may shift while traveling and cause it to push against the tarp fabric and damage it.
- Do NOT tow your vehicle from the rear with any Extang tonneau cover on your truck.



■ PERFORMANCE:

Provided all warranty conditions are met Extang will either repair or replace (at Extang's option) the product or component. Extang may require the original item to be returned postage prepaid for final determination. Extang reserves the right to substitute and offer the respective warranty discount on an entire replacement system or provide other remedies than those listed in this warranty for discontinued products or other reasons. A return authorization number must be obtained from our customer service department prior to returning any product. Shipping charges will apply for any repair or replacement. This warranty gives you specific legal rights and you may also have other legal rights which vary from state to state.

e·MAX



TRIFECTA



**Revolution
TONNO**



**EXPRESS
TONNO**



HELPFUL ACCESSORIES

MAXSEAL
TAILGATE SEAL



The MaxSeal Tailgate Seal creates a tight seal along sides and bottom of your tailgate to keep out dust, rain and snow. Quick and easy to install: just cut, peel and stick.

e·LIGHT 500 RECHARGEABLE
TRUCK BED
UTILITY LIGHT



The e-LIGHT 500 is an all-new revolutionary lighting system that fully illuminates the entire bed of your truck with ease. Universal in nature, the e-LIGHT 500 has been designed to work from any location inside the truck bed, and can be recharged on the go.

Order today, direct from our customer service department:

1-800-877-2588

5400 S. STATE ROAD, ANN ARBOR, MI 48108
VOICE: **734-677-0444** or **800-877-2588**
FAX: 734-677-8409 EMAIL: info@extang.com
WEB SITE: extang.com

extang

Item No. 0030-10.15RRE
Printed in U.S.A.

SAVE GAS, YOUR EXTANG TONNEAU MAY PAY FOR ITSELF!

DID YOU KNOW?

**EXTANG TONNEAUS
MAY IMPROVE GAS
MILEAGE UP TO 10%**



HERE'S HOW:

There are conservatively 850,000 Extang Tonneaus on the road everyday and based on the average gas savings, Extang tonneaus save America 102 million gallons of gas per year or approximately \$382,500,000.

Studies show the average truck owner drives 18,000 miles per year. At 15 mpg that comes to 1,200 gallons of gas. At a minimum 10% savings you would save around 120 gallons of gas a year. You can see why it would not take too many months to have your new tonneau pay for itself.

"...adding a tonneau could mean an improvement in fuel mileage that is the equivalent of a free gallon of gas for every 20 gallons used."

- Auto Trim & Restyling News, August 2001

MILES DRIVEN PER YEAR	MPG	AVERAGE GAS COST	ANNUAL GAS SAVINGS	ANNUAL COST SAVINGS	3 YEARS COST SAVINGS	5 YEARS COST SAVINGS	MONTHS FOR TONNO PAY BACK
12,000	15	\$3.75	80 gal.	\$300	\$900	\$1,500	12
15,000	15	\$3.75	100 gal.	\$375	\$1,125	\$1,875	9
18,000	15	\$3.75	120 gal.	\$450	\$1,350	\$2,250	8
20,000	15	\$3.75	133 gal.	\$498	\$1,494	\$2,490	7
22,000	15	\$3.75	146 gal.	\$547	\$1,641	\$2,735	6

Results are based on an estimated tonneau price of \$300.00 and rounded to the nearest whole number. Savings may vary and are not guaranteed.

SOMETHING DAMAGED? MISSING PARTS?

CALL US FIRST
800-877-2588

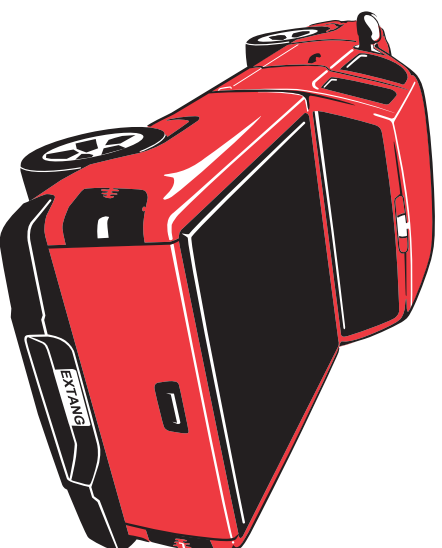
WE CAN HELP YOU QUICKLY AND EASILY OVER THE PHONE

RAPID RESPONSE
OVERNIGHT DELIVERY

Experienced Customer Service staff
to answer all your tonneau questions

CUSTOMER SERVICE HOURS:

8:30 TO 5 EST, MONDAY - FRIDAY



Tonno Model: _____
Purchase Date: _____
Lot Code: _____
<i>Lot code can be found on underside of cover.</i>

extang
AMERICA'S #1
SELLING TONNEAU

Part No.0032-1212RRE Printed in U.S.A.