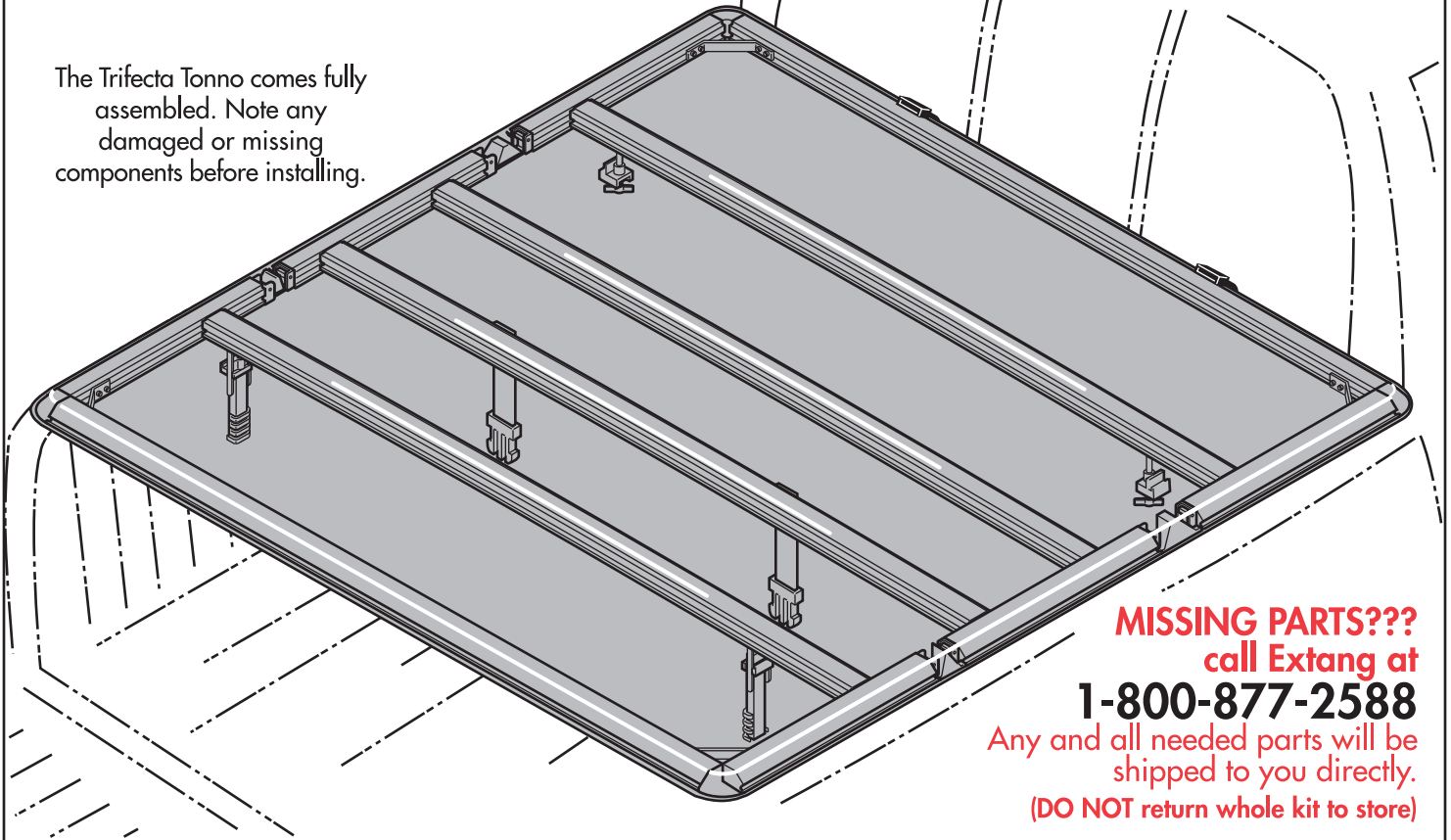


INSTALLATION SHEET

TRIFECTA™

extang
AMERICA'S BEST
SELLING TONNEAUS

The Trifecta Tonno comes fully assembled. Note any damaged or missing components before installing.



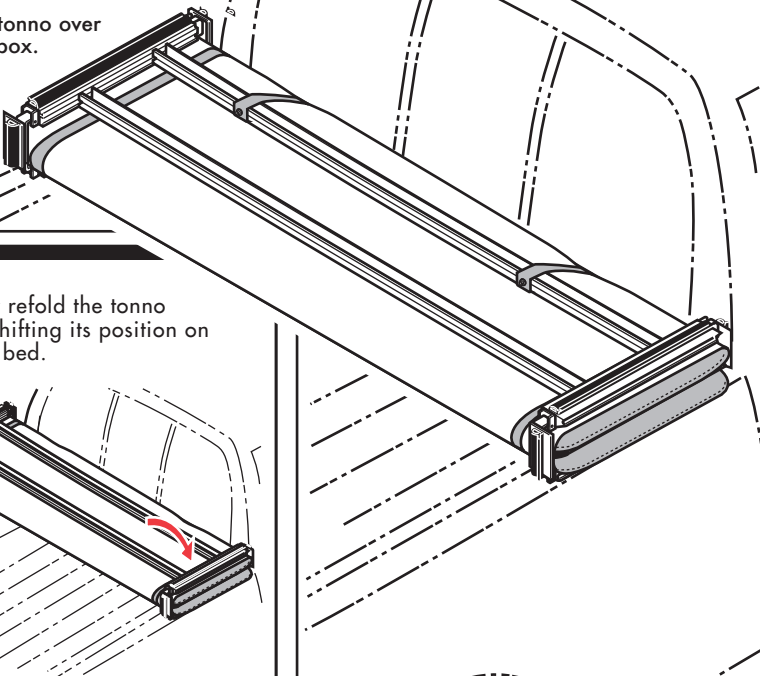
MISSING PARTS???
call Extang at
1-800-877-2588
Any and all needed parts will be
shipped to you directly.
(DO NOT return whole kit to store)

1

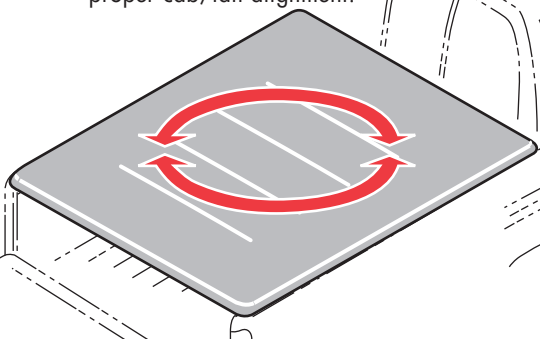


Wash truck bed.

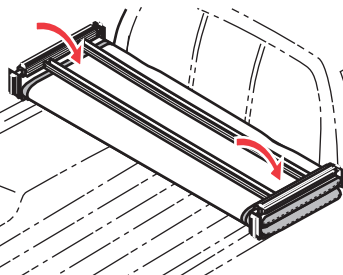
2 Place assembled tonno over cab end of truck box.



3 Unfold the Tonno fully and adjust position over the truck bed for proper cab/tail alignment.



Carefully refold the tonno without shifting its position on the truck bed.



Extang Corporation
5400 S. State Road
Ann Arbor, MI 48108
734 677-0444, Fax: 734 677-8409



4 4 0 0 0 - 3 0

Register your warranty at:

extang.com

Item No. 44000-30-1604 RH

© Extang Corp., 2016, Printed in U.S.A.

4 If your truck has a bed cap or bedliner that covers the metal bed wall flange, you will need to remove enough so that all the clamps make solid contact.

Trim only enough of the bed cap edge or liner wall so clamp contacts bottom of metal flange.

100mm

5 Ensure front clamp is positioned under bed wall flange. Hand tighten until clamp contacts, then tighten an additional two turns.

Do not secure to only lip of bedliner or wall cap.
Do Not Use Wrench or Overtighten!

6 With tailgate open, completely open the tonno.

7

Slide rear clamp out to the bed wall.

Pull rear clamp down and hook under bottom edge of bed wall flange.

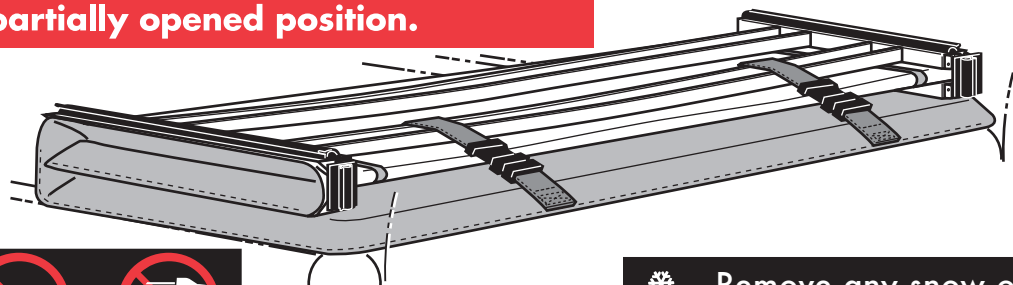
8 It is very convenient to drive with the Trifecta Tonno open. Release the rear clamps and fold the tonno forward.

Fold the tonno forward and fasten BOTH straps in the middle section to the front rail.

IMPORTANT: Before folding the second section of the tonno, rear clamps must be stowed into rail to prevent damage to fabric. **Failure to stow handle will puncture tarp and void warranty.**

IMPORTANT NOTICE
While driving, tonneau must be completely flat and secure with all four clamps in the closed position or completely folded up (all panels) and secured at the cab. **DO NOT DRIVE** with tonneau in partially opened position.

Note: Tarp cannot be removed from aluminum frame. Attempting to do so will cause damage and void the warranty.



Remove any snow or foreign matter before folding cover.

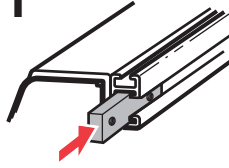
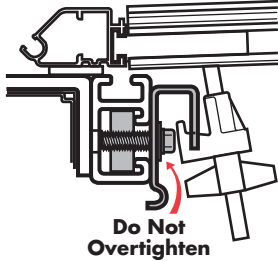
TRIFECTA™

Special Instructions for Alternative Brackets

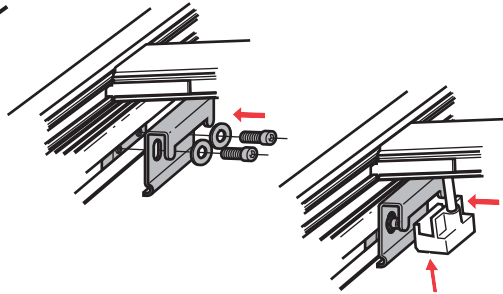
SUPPLEMENT to INSTALLATION INSTRUCTIONS

Dodge Dakota 08-11

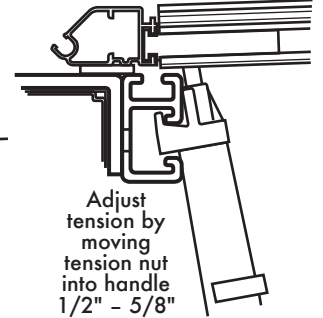
CAB CLAMP
Add clamp plate as shown here



Add clamp plate as shown here

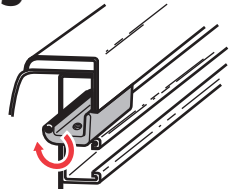
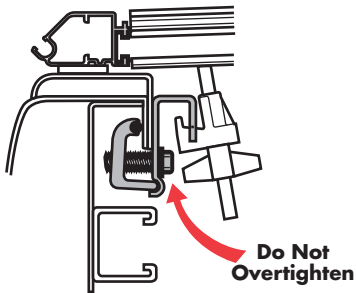


TAILGATE CLAMP
Hook clamp directly into factory rail

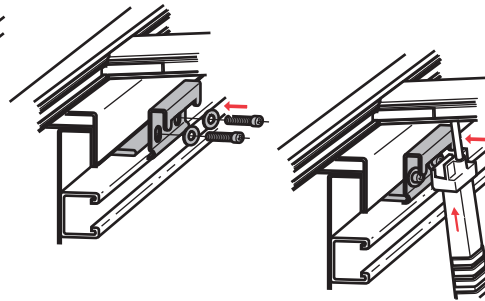


Nissan Frontier 2005-

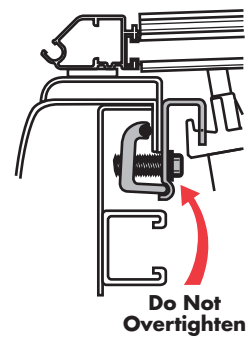
CAB CLAMP



Add clamp plate as shown here

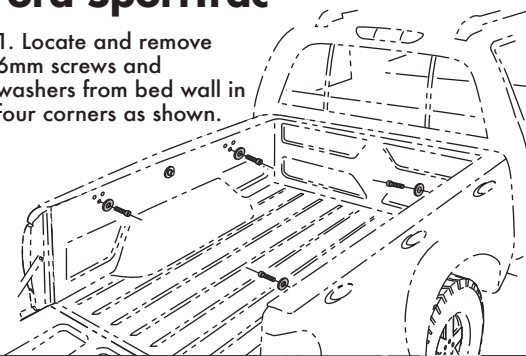


TAILGATE CLAMP

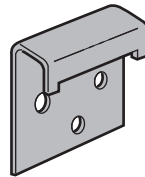


Ford SportTrac

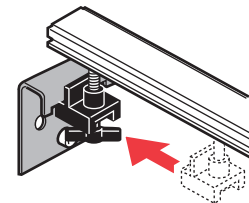
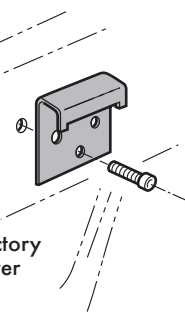
1. Locate and remove 6mm screws and washers from bed wall in four corners as shown.



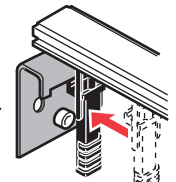
Clamping Bracket (x4)



2. Attach clamping brackets using the factory 6mm screw in the lower exposed hole.

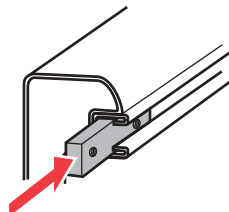
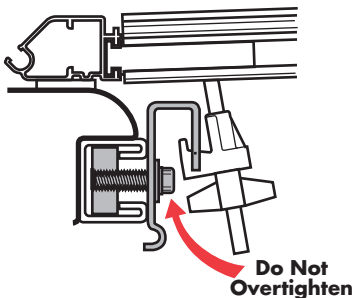


4. Slide rear clamp out to rear clamp bracket.

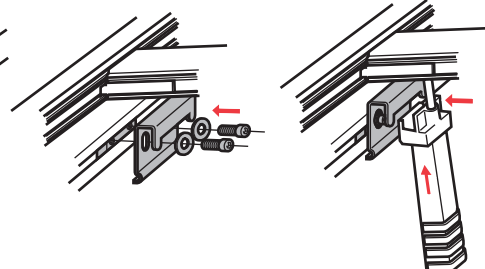


All other Cargo Management equipped trucks

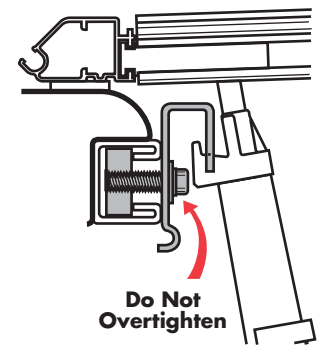
CAB CLAMP



Add clamp plate as shown here



TAILGATE CLAMP



extang
AMERICA'S BEST SELLING TONNEAUS

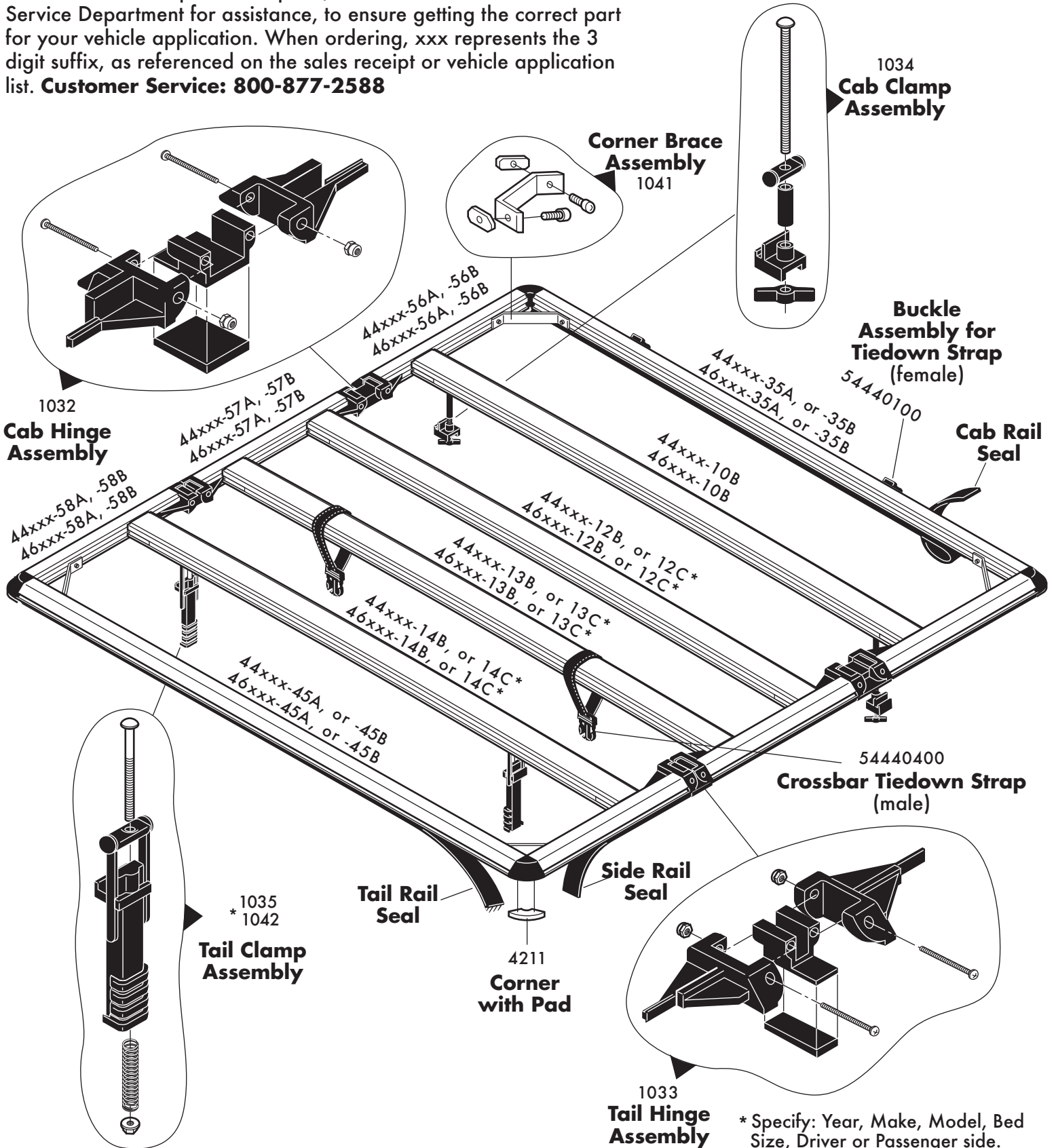
Extang Corporation
5400 S. State Rd.
Ann Arbor MI 48108
734-677-0444, Fax: 734-677-8409

Register your warranty at:

extang.com

© Extang Corp., 2016, Printed in U.S.A.

NOTE: To order replacement parts, it's best to contact our Customer Service Department for assistance, to ensure getting the correct part for your vehicle application. When ordering, xxx represents the 3 digit suffix, as referenced on the sales receipt or vehicle application list. **Customer Service: 800-877-2588**



* Specify: Year, Make, Model, Bed Size, Driver or Passenger side.

MAXIMUM STRENGTH WARRANTY

LIFETIME FRAME & TARP

READ CAREFULLY - KEEP IN A SAFE PLACE

PLEASE ATTACH AND SAVE YOUR SALES RECEIPT.
ACTIVATE YOUR WARRANTY ONLINE AT EXTANG.COM.

Maximum Strength Warranty - Lifetime frame and tarp warranty covers the following tonneaus: Revolution, Express, Trifecta and eMAX.

■ WARRANTY DURATION:

Lifetime Frame – Extang offers a LIFETIME warranty against defective materials or workmanship on the Revolution, Express, Trifecta and eMAX rails, aluminum components, clamps, bows, hardware. **Lifetime Tarp** – Extang offers a LIFETIME warranty against defective materials or workmanship on the Revolution, Express, Trifecta and eMAX vinyl covering. The warranty applies to the original consumer/purchaser. Warranty registration must be on file and/or proof of original purchase (detailed and dated receipt) required for warranty to be effective. Warranty coverage starts from the date of purchase.

■ WARRANTY CONDITIONS:

This warranty is against defective materials or workmanship. The warranty is void if the product has been damaged by accident, unreasonable use, neglect, improper service/installation/removal, modifications, normal wear and tear or other causes not arising out of defective materials or workmanship. Consequential and incidental damages are not covered under this warranty.

THE FOLLOWING CONDITIONS WILL ALSO VOID THE WARRANTY:

- **Wind whip damage** - Tarps must be secured at all points when vehicle is in motion. An unsecured tarp will flap, resulting in damage to the fabric.
- **Improper cleaning** - It is recommended to use the tested and approved Extang Tonno Tonic™ or clean with soap and water only. Do not use vinyl conditioners (i.e. Armor All®) because they will shrink the vinyl.
- **Overloading of cargo** - Cargo should not touch the tonneau's tarp at any point. Protrusions in the tarp will stress the fabric. Cargo may shift while traveling and cause it to push against the tarp fabric and damage it.
- Do NOT tow your vehicle from the rear with any Extang tonneau cover on your truck.



■ PERFORMANCE:

Provided all warranty conditions are met Extang will either repair or replace (at Extang's option) the product or component. Extang may require the original item to be returned postage prepaid for final determination. Extang reserves the right to substitute and offer the respective warranty discount on an entire replacement system or provide other remedies than those listed in this warranty for discontinued products or other reasons. A return authorization number must be obtained from our customer service department prior to returning any product. Shipping charges will apply for any repair or replacement. This warranty gives you specific legal rights and you may also have other legal rights which vary from state to state.

e·MAX



TRIFECTA



**Revolution
TONNO**



**EXPRESS
TONNO**



HELPFUL ACCESSORIES

MAXSEAL
TAILGATE SEAL



The MaxSeal Tailgate Seal creates a tight seal along sides and bottom of your tailgate to keep out dust, rain and snow. Quick and easy to install: just cut, peel and stick.

e·LIGHT 500 RECHARGEABLE
TRUCK BED
UTILITY LIGHT



The e-LIGHT 500 is an all-new revolutionary lighting system that fully illuminates the entire bed of your truck with ease. Universal in nature, the e-LIGHT 500 has been designed to work from any location inside the truck bed, and can be recharged on the go.

Order today, direct from our customer service department:

1-800-877-2588

5400 S. STATE ROAD, ANN ARBOR, MI 48108
VOICE: **734-677-0444** or **800-877-2588**
FAX: 734-677-8409 EMAIL: info@extang.com
WEB SITE: extang.com

extang

Item No. 0030-10.15RRE
Printed in U.S.A.

SOMETHING DAMAGED? MISSING PARTS?

CALL US FIRST
800-877-2588

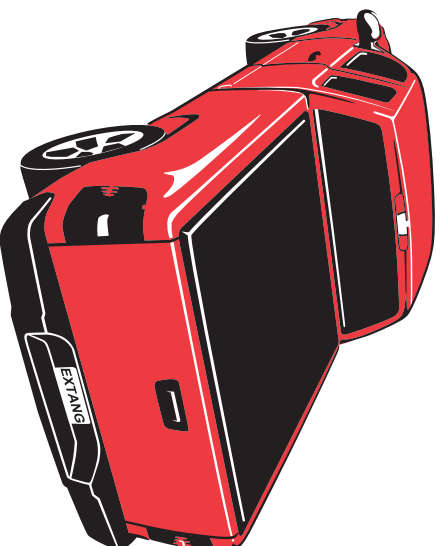
WE CAN HELP YOU QUICKLY AND EASILY OVER THE PHONE

RAPID RESPONSE
OVERNIGHT DELIVERY

Experienced Customer Service staff
to answer all your tonneau questions

CUSTOMER SERVICE HOURS:

8:30 TO 5 EST, MONDAY - FRIDAY



Tonne Model: _____
Purchase Date: _____
Lot Code: _____
<i>Lot code can be found on underside of cover.</i>

extang
AMERICA'S #1
SELLING TONNEAU

Part No.0032-1212RRE Printed in U.S.A.